

# Nice Soon Pro

The compact guideless solution for light commercial sectional doors with light duty cycle requirements

For balanced sectional doors up to 16' high  
24V DC electromechanical gear motor with absolute encoder



## Features



### All-in-one:

Control unit, motor, and electronics together in a small form factor



### User friendly:

Optional battery backup ensures reliable door operation even when the power is out



### Precise:

Absolute encoder guarantees positioning without mechanical limit switches, and allows for gradual start and slowdown during operation



### Energy Saving:

Eco-mode saves power by placing the system in standby when not in use, integrated LED light reduces energy usage compared to incandescent bulbs used in traditional garage door motors



### Safe:

Obstacle detection and entrapment systems are monitored during operation and safeguard against injury

Nice

# Nice Soon Pro

## Additional Features

### Versatile:

Ideal for light commercial doors with light duty cycle requirements

### Easy to install:

Compact design makes installation directly onto the shaft of a sectional door simple and fast

### Practical:

Simplified connectivity between the control unit and optional accessories

### Reliable:

Rigorous testing and quality control processes ensure long-term dependability

### Easy maintenance:

Removable terminals and receivers

### Space-saving Design:

All-in-one unit mounts next to the door



### TECHNICAL SPECIFICATIONS

CODE	Description	Pack/Pallet
<b>S02000</b>	For balanced sectional doors up to 16' high 24V DC electromechanical gear motor with absolute encoder	24

CODE	S02000
------	--------

#### ELECTRICAL DATA

POWER SUPPLY (VAC 60 HZ)	115V
ABSORPTION (A)	1.6
POWER (W)	350

#### PERFORMANCE DATA

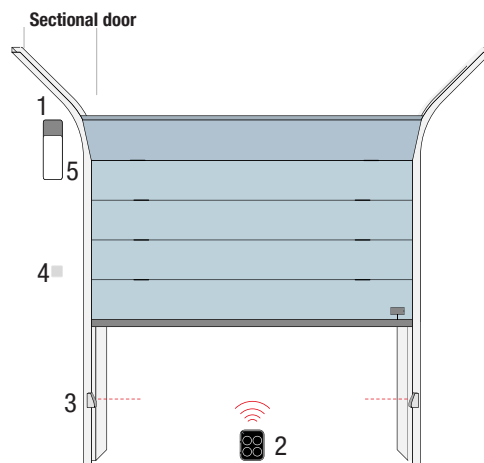
SPEED (RPM)	30
TORQUE (NM)	50
DUTY CYCLE (CYCLES/HOUR)	15
MAXIMUM DOOR HEIGHT	16'
MAXIMUM DOOR WIDTH	18'
MAXIMUM DOOR WEIGHT	875 lbs.
MAXIMUM CYCLES PER DAY	25

#### DIMENSIONAL AND GENERAL DATA

ENCLOSURE RATING	IP 40
BORE DIAMETER	1"

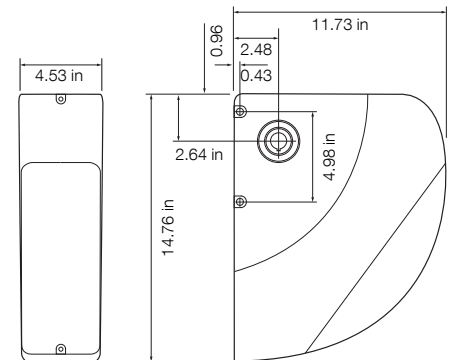
Nice strongly recommends the use of pusher springs or bumpers on standard lift doors

### INSTALLATION DIAGRAM



1. MOTOR
2. TRANSMITTER (OPTIONAL)
3. PHOTOCELLS
4. PUSH BUTTON
5. BATTERY BACK UP (INSIDE MOTOR - OPTIONAL)

### DIMENSIONS



### ACCESSORIES INCLUDED



**MV00003**  
Wall mounted Open/Close/Stop push button station



**MK00649**  
Photo eyes



**ON4E/A**  
Era One 4 channel radio transmitter



**PS124**  
24V battery with integrated charger



**OXI/A**  
Multi channel receiver



**EDSWG/A**  
3 Channel Wireless Keypad



**GAP13101**  
Adapter for 1" and 1.25" diameter shafts

### OPTIONAL ADD-ONS



Contact Nice for an operator/parts distributor near you.  
phone 514 822-1116 | 877 888-1116  
micanan.com | salesca@niceforyou.com